

“  
*Fingerprint Recognition Access Control Device using Multi-spectral Image Sensor*  
”



*Perfect authentication using Multispectral Image Sensor and built in video camera help build complete security system.*

	Dry	Wet	Dirty	Elderly	High ambient light
Multispectral Image Sensor					
Competitor			No image		No image

LV-5000 is designed for the highest performance in access control system with time and attendance, membership management, etc. The sensor captures fingerprints that are contaminated, dry, wet, and even no outer skin, regardless of environmental and genetic factors. It can be well applied to the industries where working condition is poor.

**Multispectral Image Sensor?**

Clear and clean images are captured by our sensors even when no surface features exist due to genetics, age, dirt, finger placement, or environmental conditions.

LV-5000 built in camera and microphone has a function of inside videophone, voice communication, and filtering. Connecting terminal to server and terminal to terminal with TCP/IP network is easy and convenient.

# Finger pass

FINGER PASS SECURITY SYSTEM

## LV-5000

“  
Fingerprint Recognition Access  
Control Device using  
Multi-spectral Image Sensor  
”



### PRODUCT FEATURES



#### Perfect Fingerprint Recognition through the Multi-spectral Image Sensor

Captures both the outer skin and inner skin regardless of genetic, dry, contaminated, and even environmental factor



#### Built in 2.5 inch Graphic LCD Screen

Displays detailed information such as date, time, user guide, and user list, etc



#### Built in Color CCD Camera/ Microphone

Has voice communication and camera monitoring between inside video door-phone and LV-5000



#### Supports TCP/IP, RS-485 Network

Free expansion between terminal to server and terminal to terminal



#### Supports USB Memory Stick

Can easily upload & download records of fingerprint data, events, time and attendance with a USB memory stick



#### Wiegand Protocol

Compatible with other access controller systems using the Wiegand Protocol



#### Configurable Access Control

The ability to set a specific date (date & time zones) to control access effectively

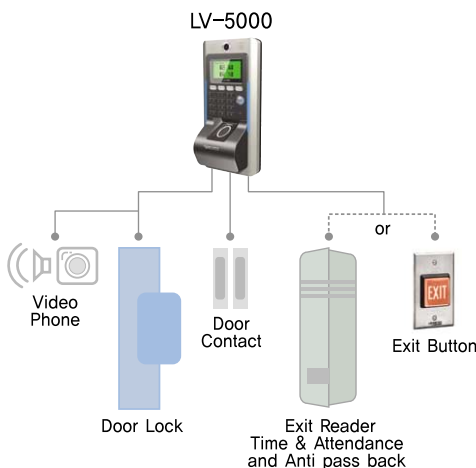
### PRODUCT SPECIFICATIONS

CPU	ARM 9 Processor 200MHz
Memory	64MB Flash, 32MB SRAM
Display	2.5" B/W Graphic LCD
Camera	1/3" CCD, Sharp-high res.
Fingerprint sensor	1:1 Multispectral Image Sensor
Communication type	RS-485, TCP/IP
User Registration	2,000 / 10,000 / 30,000 User's Fingerprints
Event log	Maximum 300,000 events
RF Ieder	125KHz / 13.56MHz (HID / Mifare /EM)
In/Out Point	6 In / 4 Out
Power	12V DC / 500mA
Product size	115(H)×175(W)×59(D)mm
Software	Access Control, Time & Attendance
Key Pad	16 Digit Keys (40 Function Key)
Other	Firmware upgrade available Error search function available CE, FCC certified

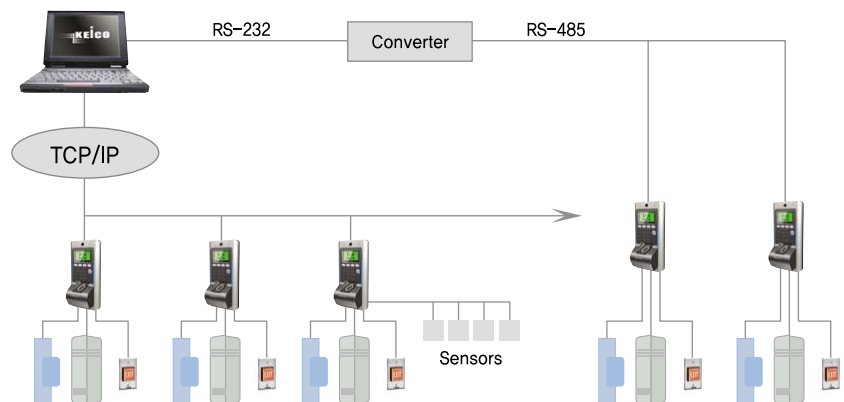
### System Layout

- Safe, Secure, and Economical Access Control System
- Easy and free Expansion Between Terminal to Server and Terminal to Terminal with Various Network System
- Voice Communication and Camera Monitoring Between Inside Video Door-Phone and LV-5000

Standalone Configuration



Network Configuration



<http://www.keico.co.kr>

ACE Twin Tower I 12th FL.  
212-1, GURO-DONG, GURO-GU, SEOUL, 152-050, KOREA  
TEL : +82-2-853-9000 FAX : +82-2-830-7809  
E-MAIL : keico@keico.co.kr